

Air Cylinder: Standard Type Double Acting, Single Rod Series **CG1**

ø20, ø25, ø32, ø40, ø50, ø63, ø80, ø100

How to Order



Without auto switch

CG1 **L** **N** **25** — **100** **□**

With auto switch

CDG1 **L** **N** **25** — **100** **□** — **H7BW** **□**

Built-in magnet

Mounting style

B	Basic style
L	Axial foot style
F	Rod side flange style
G	Head side flange style
U*	Rod side trunnion style
T*	Head side trunnion style
D	Clevis style

* Not available for ø80 or ø100.

Note) Mounting brackets are shipped together, (but not assembled).

Type

N	Non-lube/Rubber bumper
A	Non-lube/Air cushion

Suffix for cylinder (Rod boot (at one end))

Nil	Without rod boot
J	Nylon tarpaulin
K	Heat resistant tarpaulin

* In the case of w/ rod boot, and a foot bracket or rod side flange as a bracket, those parts are to be assembled at the time of shipment.

Number of auto switches

Nil	2 pcs.
S	1 pc.
n	"n" pcs.

Auto switch

Nil	Without auto switch (Built-in magnet)
------------	---------------------------------------

* For the applicable auto switch model, refer to the table below.

Bore size

20	20 mm	50	50 mm
25	25 mm	63	63 mm
32	32 mm	80	80 mm
40	40 mm	100	100 mm

Cylinder stroke (mm)

Refer to "Standard Stroke" on page 6-5-3.

Applicable Auto Switch/Refer to page 6-16-1 for further information on auto switches.

Type	Special function	Electrical entry	Indicator light	Wiring (Output)	Load voltage		Auto switch model		Lead wire length (m)*				Pre-wire connector	Applicable load	
					DC	AC	Applicable bore size (mm)		0.5 (Nil)	3 (L)	5 (Z)	None (N)			
							20 to 63	80, 100							
Reed switch	—	Grommet	Yes	3-wire (NPN equivalent)	—	5 V	—	C76	—	●	●	—	—	—	IC circuit
				Connector		24 V		12 V	100 V, 200 V	B54		●	●	●	—
	Grommet	Diagnostic indication (2-color indication)			2-wire		100 V	C73	—	●	●	●	—	—	—
				C73C		—	●	●	●	●	—	—			
Solid state switch	—	Grommet	Yes	3-wire (NPN)	24 V	5 V, 12 V	—	H7A1	G59	●	●	○	—	○	IC circuit
				3-wire (PNP)				H7A2	G5P	●	●	○	—	○	
		Connector		2-wire				H7B	K59	●	●	○	—	○	
	Grommet			Diagnostic indication (2-color indication)	3-wire (NPN)	H7C	—	●	●	●	●	—	—	—	—
		3-wire (PNP)			H7NW	G59W	●	●	○	—	○				
		3-wire (PNP)			H7PW	G5PW	●	●	○	—	○				
		2-wire			H7BW	K59W	●	●	○	—	○				
	Grommet	Water resistant (2-color indication)		2-wire	H7BA	G5BA		●	○	—	○	—	—	—	—
					Grommet	With diagnostic output (2-color indication)	4-wire (NPN)	5 V, 12 V	H7NF	G59F	●	●	○		

* Lead wire length symbols: 0.5 m Nil (Example) C73C
 3 m L (Example) C73CL
 5 m Z (Example) C73CZ
 None N (Example) C73CN

* Solid state switches marked with "○" are produced upon receipt of order.

- Since there are other applicable auto switches than listed, refer to page 6-5-14 for details.
- For details about auto switches with pre-wire connector, refer to page 6-16-60.

Air Cylinder: Standard Type Double Acting, Single Rod **Series CG1**

Substantially shorter length:

ø20 to ø40... -15 to -30 mm
(in comparison with Series CM2)
ø40 to ø63... -17 to -28 mm
(in comparison with Series CA1)
ø80, ø100... -9 to -33 mm
(in comparison with Series CA1)

High speed operation:

1000 mm/s

(ø80 and ø100 operate at 700 mm/s)

Air cushion standardized

Two cushions are available:
an air cushion and rubber bumper

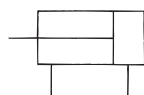
Weight reduction of 10 to 50%

(50 mm stroke, in-house comparison)

Highly accurate mounting brackets

(Axial foot style, Rod side flange style)

JIS Symbol
Double acting



Made to Order
Made to Order Specifications
(For details, refer to page 6-17-1.)

Symbol	Specifications
-XA□	Change of rod end shape
-XB6	Heat resistant cylinder (150°C)
-XB7	Cold resistant cylinder
-XB9	Low speed cylinder (10 to 50 mm/s)
-XB13	Low speed cylinder (5 to 50 mm/s)
-XC4	With heavy duty scraper
-XC6	Piston rod and rod end nut made of stainless steel
-XC8	Adjustable stroke cylinder/Adjustable extension type
-XC9	Adjustable stroke cylinder/Adjustable retraction type
-XC10	Dual stroke cylinder/Double rod type
-XC11	Dual stroke cylinder/Single rod type
-XC12	Tandem type cylinder
-XC13	Auto switch rail mounting style
-XC18	NPT finish piping port
-XC20	Head cover axial port
-XC22	Fluoro rubber seals
-XC29	Double knuckle joint with spring pin
-XC35	With coil scraper
-XC37	Larger throttle diameter of connecting port
-XC42	Built-in rear shock absorber

Specifications

Bore size (mm)	20	25	32	40	50	63	80	100
Action	Double acting, Single rod							
Type	Non-lube							
Fluid	Air							
Proof pressure	1.5 MPa							
Maximum operating pressure	1.0 MPa							
Minimum operating pressure	0.05 MPa							
Ambient and fluid temperature	Without auto switch: -10 to 70°C (No freezing) With auto switch: -10 to 60°C (No freezing)							
Piston speed	50 to 1000 mm/s						50 to 700 mm/s	
Stroke length tolerance	Up to 1000 ^{+1.4} ₀ mm, Up to 1200 ^{+1.8} ₀ mm						Up to 1000 ^{+1.4} ₀ mm Up to 1500 ^{+1.8} ₀ mm	
Thread tolerance	JIS Class 2							
Cushion	Rubber bumper, Air cushion							
Mounting *	Basic style, Axial foot style, Rod side flange style, Head side flange style, Rod side trunnion style, Head side trunnion style, Clevis style (Used for changing the port location by 90°.)							



Rod/Head side trunnion styles are not available for bore sizes ø80 and ø100.

Accessory

Mounting		Basic style	Axial foot style	Rod side flange style	Head side flange style	Rod side trunnion style	Head side trunnion style	Clevis style
		Standard equipment	Rod end nut	●	●	●	●	●
	Clevis pin	—	—	—	—	—	—	●
Option	Single knuckle joint	●	●	●	●	●	●	●
	Double knuckle joint (With pin)	●	●	●	●	●	●	●
	Pivot bracket	—	—	—	—	●*	●*	●
	Rod boot	●	●	●	●	●	●	●

* Trunnion bracket is not available for ø80 and ø100.

** Pin and snap ring are shipped together with double knuckle joint.

Standard Stroke

Bore size (mm)	Standard stroke ⁽¹⁾ (mm)	Long stroke (mm)	Maximum manufacturable stroke (mm)
20	25, 50, 75, 100, 125, 150, 200	201 to 350	1500
25	25, 50, 75, 100, 125, 150, 200, 250, 300	301 to 400	
32		301 to 450	
40		301 to 800	
50, 63		301 to 1200	
80		301 to 1400	
100		301 to 1500	



Note 1) Other intermediate strokes can be manufactured upon receipt of an order. Spaces are not used for the intermediate strokes.

Note 2) Long stroke applies to the axial foot style and the rod side flange style. If other length exceeds the stroke limit, the stroke should be determined based on the stroke selection table in the technical data.

Minimum Stroke for Auto Switch Mounting

Model	No. of auto switches mounted	
	2	1
D-C7/C8 D-B5/B6 D-H7 D-G5/K5	15 mm	10 mm
D-B59W	20 mm	15 mm

Model	Bore size (mm)	No. of auto switches mounted	
		2	1
D-G5NBL	20	50 mm	30 mm
	25	55 mm	35 mm
	32		
	40	65 mm	
	50		
	63		
	80		
100	70 mm	40 mm	

Rod Boot Material

Symbol	Rod boot material	Maximum operating temperature
J	Nylon tarpaulin	70°C
K	Heat resistant tarpaulin	110°C *

* Maximum ambient temperature for the rod boot itself.

CJ1

CJP

CJ2

CM2

CG1

MB

MB1

CA2

CS1

C76

C85

C95

CP95

NCM

NCA

D-

-X

20-

Data

Series CG1

Mounting Bracket Part No.

Mounting bracket	Bore size (mm)							
	20	25	32	40	50	63	80	100
Axial foot ⁽¹⁾	CG-L020	CG-L025	CG-L032	CG-L040	CG-L050	CG-L063	CG-L080	CG-L100
Flange	CG-F020	CG-F025	CG-F032	CG-F040	CG-F050	CG-F063	CG-F080	CG-F100
Trunnion pin	CG-T020	CG-T025	CG-T032	CG-T040	CG-T050	CG-T063	—	—
Clevis ⁽²⁾	CG-D020	CG-D025	CG-D032	CG-D040	CG-D050	CG-D063	CG-D080	CG-D100
Pivot bracket	CG-020-24A	CG-025-24A	CG-032-24A	CG-040-24A	CG-050-24A	CG-063-24A	CG-080-24A	CG-100-24A

Note 1) Order two foot brackets per cylinder.

Note 2) Clevis pin, snap ring and mounting bolt are shipped together with clevis style.

Note 3) Mounting bolts are shipped together for foot style and flange style.

Auto Switch Mounting Bracket Part No.

Auto switch model	Bore size (mm)							
	20	25	32	40	50	63	80	100
D-C7/C8	BMA2-020	BMA2-025	BMA2-032	BMA2-040	BMA2-050	BMA2-063	—	—
D-H7								
D-B5/B6	BA-01	BA-02	BA-32	BA-04	BA-05	BA-06	BA-08	BA-10
D-G5/K5								

* Mounting screws set made of stainless steel

The following set of mounting screws made of stainless steel is also available. Use it in accordance with the operating environment.

(A switch mounting band is not included, so please order it separately.)

BBA3: For D-B5/B6/G5/K5

BBA4: For D-C7/C8/H7

- D-G5BAL and D-H7BAL switches are set on the cylinder with the stainless steel screws above when shipped. When a switch only is shipped, BBA3 or BBA4 screws are attached.

Weight

Bore size (mm)		20	25	32	40	50	63	80	100
Basic weight	Basic style	0.10	0.17	0.26	0.41	0.77	1.07	2.04	3.17
	Axial foot style	0.21	0.30	0.42	0.63	1.25	1.79	3.00	4.92
	Flange style	0.18	0.27	0.40	0.61	1.11	1.57	2.75	4.52
	Trunnion style	0.11	0.19	0.29	0.46	0.91	1.21	—	—
	Clevis style	0.15	0.25	0.41	0.64	1.17	1.75	2.75	4.45
Pivot bracket		0.08	0.09	0.17	0.25	0.44	0.80	0.98	1.75
Single knuckle joint		0.05	0.09	0.09	0.10	0.22	0.22	0.39	0.57
Double knuckle joint (With pin)		0.05	0.09	0.09	0.13	0.26	0.26	0.64	1.31
Additional weight per each 50 mm of stroke		0.05	0.07	0.09	0.15	0.22	0.26	0.35	0.49
Additional weight with air cushion		0.01	0.01	0.02	0.02	0.03	0.03	0.03	0.03
Additional weight for long stroke		0.01	0.01	0.02	0.03	0.06	0.10	0.19	0.26

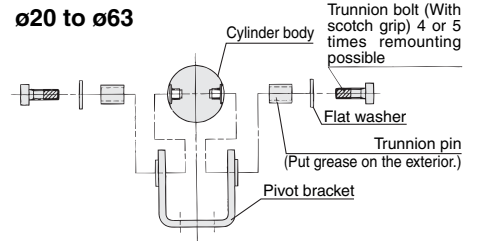
Calculation: (Example) CG1LA20-100
(Foot style, ø20, 100 st)

- Basic weight.....0.21 (Foot, ø20)
 - Additional weight.....0.05/50 stroke
 - Cylinder stroke.....100 stroke
 - Additional weight by air cushion.....0.01 kg
- 0.21 + 0.05 x 100/50 + 0.01 = 0.32 kg

Mounting Procedure

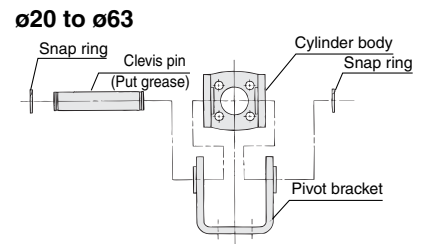
Mounting procedure for trunnion

Follow the procedures below when mounting a pivot bracket on the trunnion.

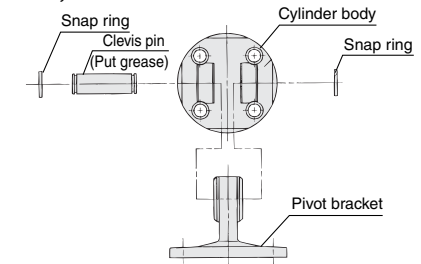


Mounting procedure for clevis

Follow the procedures below when mounting a pivot bracket on the clevis style.



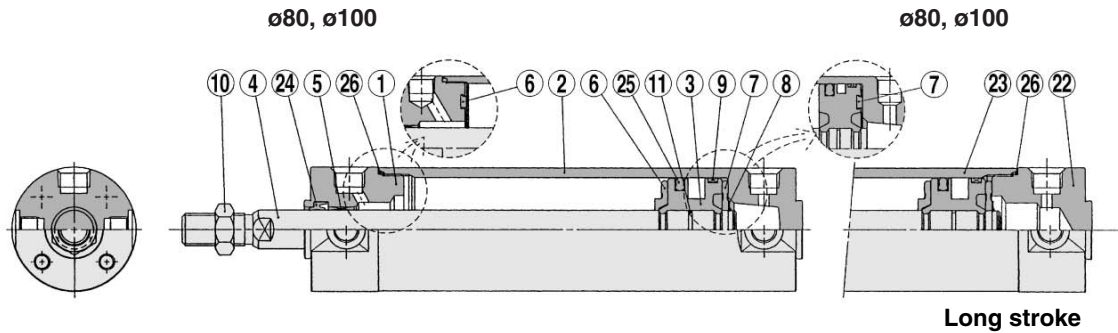
ø80, ø100



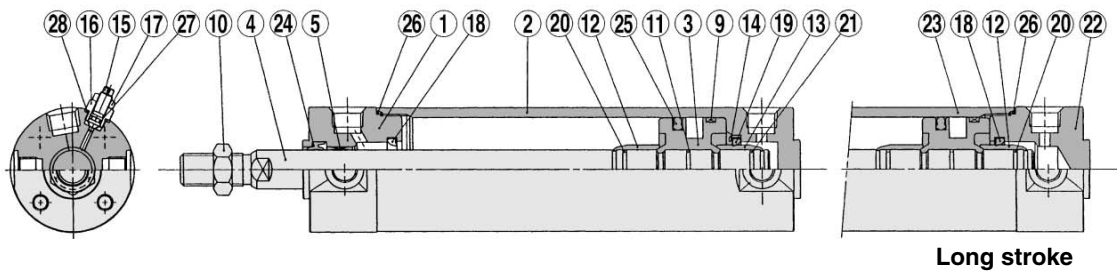
Air Cylinder: Standard Type Double Acting, Single Rod **Series CG1**

Construction

With rubber bumper



With air cushion



Component Parts

No.	Description	Material	Note
①	Rod cover	Aluminum alloy	Clear hard anodized
②	Tube cover	Aluminum alloy	Clear hard anodized
③	Piston	Aluminum alloy	Chromated
④	Piston rod	Carbon steel*	Hard chrome plated
⑤	Bushing	Oil-impregnated sintered alloy	ø40 and larger are lead-bronze casted
⑥	Bumper A	Urethane	
⑦	Bumper B	Urethane	ø40 or larger: The same as bumper A
⑧	Snap ring	Stainless steel	Except ø80 and ø100
⑨	Wear ring	Resin	
⑩	Rod end nut	Rolled steel	Nickel plated
⑪	Piston gasket	NBR	
⑫	Cushion ring A	Brass	
⑬	Cushion ring B	Brass	ø32 or larger: The same as A
⑭	Seal retainer	Rolled steel	Nickel plated/Except long stroke
⑮	Cushion valve	Rolled steel	Electroless nickel plated
⑯	Valve retainer	Rolled steel	Electroless nickel plated
⑰	Lock nut	Rolled steel	Nickel plated
⑱	Cushion seal A	Urethane	
⑲	Cushion seal B	Urethane	ø32 or larger: The same as A *
⑳	Cushion ring gasket A	NBR	
㉑	Cushion ring gasket B	NBR	ø32 or larger: The same as A
㉒	Head cover	Aluminum alloy	Clear hard anodized
㉓	Cylinder tube	Aluminum alloy	Hard anodized
㉔	Rod seal	NBR	
㉕	Piston seal	NBR	
㉖	Tube gasket	NBR	
㉗	Valve seal	NBR	
㉘	Valve retaining gasket	NBR	

Note) In the case of cylinders with auto switches, magnets are installed in the piston.
* The material is stainless steel on auto switch equipped styles ø20 and ø25.

Replacement Parts: Seal Kit for Rubber Bumper

Bore size (mm)	Kit no.	Contents
20	CG1N20-PS	Set of the nos. ②4, ②5, ②6
25	CG1N25-PS	
32	CG1N32-PS	
40	CG1N40-PS	
50	CG1N50-PS	
63	CG1N63-PS	
80	CG1N80-PS	
100	CG1N100-PS	

Replacement Parts: Seal Kit for Air Cushion

Bore size (mm)	Kit no.	Contents
20	CG1A20-PS	Set of the nos. ②4, ②5, ②6, ②7, ②8
25	CG1A25-PS	
32	CG1A32-PS	
40	CG1A40-PS	
50	CG1A50-PS	
63	CG1A63-PS	
80	CG1A80-PS	
100	CG1A100-PS	

CJ1

CJP

CJ2

CM2

CG1

MB

MB1

CA2

CS1

C76

C85

C95

CP95

NCM

NCA

D-

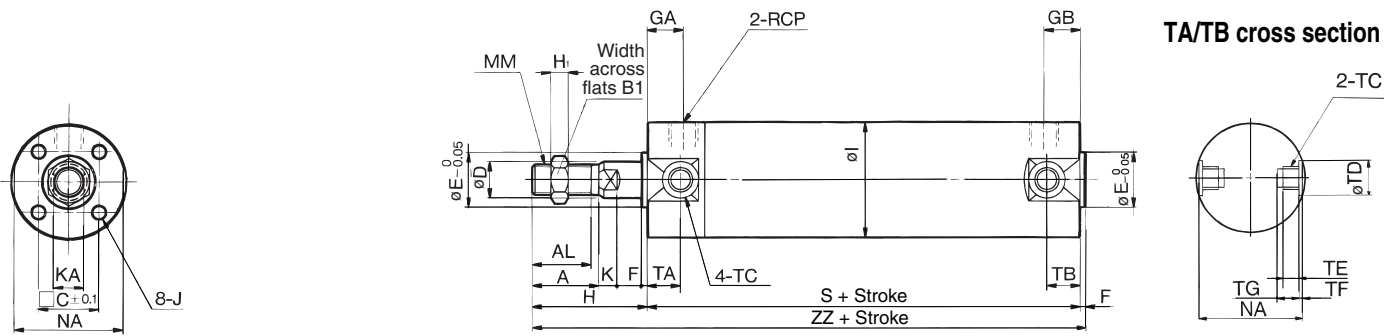
-X

20-

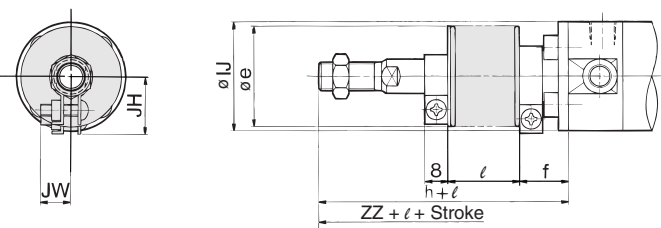
Data

Series CG1

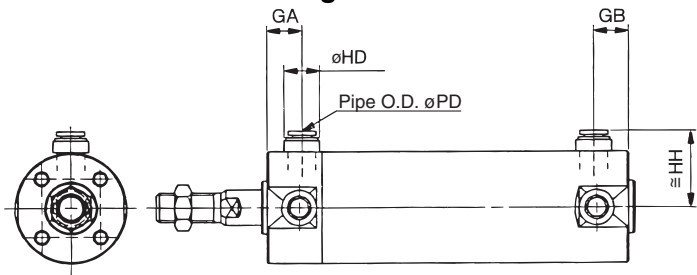
Basic Style with Rubber Bumper: CG1BN



Basic style with rod boot

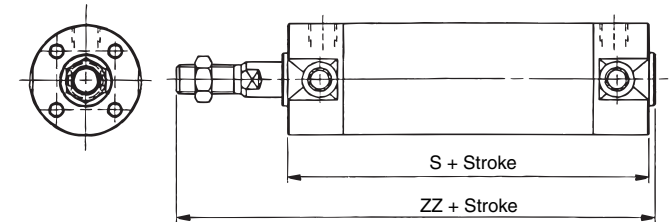


Built-in One-touch fittings



Other dimensions are the same as standard.

Air-hydro



Other dimensions are the same as the long stroke standard.

Bore size (mm)	Standard stroke range (mm)	Long stroke range (mm)	A	AL	B ₁	C	D	E	F	GA	GB	H	H ₁	I	J	K	KA	MM	NA	P	S	TA	TB	ZZ
20	Up to 200	201 to 350	18	15.5	13	14	8	12	2	12	10(12)	35	5	26	M4 x 0.7 depth 7	5	6	M8 x 1.25	24	1/8	69(77)	11	11	106(114)
25	Up to 300	301 to 400	22	19.5	17	16.5	10	14	2	12	10(12)	40	6	31	M5 x 0.8 depth 7.5	5.5	8	M10 x 1.25	29	1/8	69(77)	11	11	111(119)
32	Up to 300	301 to 450	22	19.5	17	20	12	18	2	12	10(12)	40	6	38	M5 x 0.8 depth 8	5.5	10	M10 x 1.25	35.5	1/8	71(79)	11	10(11)	113(121)
40	Up to 300	301 to 800	30	27	19	26	16	25	2	13	10(13)	50	8	47	M6 x 1 depth 12	6	14	M14 x 1.5	44	1/8	78(87)	12	10(12)	130(139)
50	Up to 300	301 to 1200	35	32	27	32	20	30	2	14	12(14)	58	11	58	M8 x 1.25 depth 16	7	18	M18 x 1.5	55	1/4	90(102)	13	12(13)	150(162)
63	Up to 300	301 to 1200	35	32	27	38	20	32	2	14	12(14)	58	11	72	M10 x 1.5 depth 16	7	18	M18 x 1.5	69	1/4	90(102)	13	12(13)	150(162)
80	Up to 300	301 to 1400	40	37	32	50	25	40	3	20	16(20)	71	13	89	M10 x 1.5 depth 22	10	22	M22 x 1.5	80	3/8	108(122)	—	—	182(196)
100	Up to 300	301 to 1500	40	37	41	60	30	50	3	20	16(20)	71	16	110	M12 x 1.75 depth 22	10	26	M26 x 1.5	100	1/2	108(122)	—	—	182(196)

Note) (): Denotes the dimensions for long stroke.

* Trunnion mounting taps with width across flats NA are not attached for bore size ø80 and ø100.

TA/TB Sectional View

Bore size (mm)	TC*	TD _{H9}	TE	TF	TG
20	M5 x 0.8	8 ^{+0.08} ₀	4	0.5	5.5
25	M6 x 0.75	10 ^{+0.08} ₀	5	1	6.5
32	M8 x 1.0	12 ^{+0.08} ₀	5.5	1	7.5
40	M10 x 1.25	14 ^{+0.08} ₀	6	1.25	8.5
50	M12 x 1.25	16 ^{+0.08} ₀	7.5	2	10
63	M14 x 1.5	18 ^{+0.08} ₀	11.5	3	14.5
80	—	—	—	—	—
100	—	—	—	—	—

With Rod Boot

Bore size (mm)	e	f	h	IJ	JH	JW	ℓ	ZZ
20	30	16	55	27	(14.5)	(11.5)	0.25 stroke	126(134)
25	30	17	62	32	(17.5)	(11.5)		133(141)
32	35	17	62	38	(19.5)	(11.5)		135(143)
40	35	17	70	48	(22.5)	(13)		150(159)
50	40	17	78	59	(25)	(13)		170(182)
63	40	18	78	72	(25)	(13)		170(182)
80	52	10	80	59	—	—		191(205)
100	62	7	80	71	—	—		191(205)

* The minimum stroke with rod boot is 20 mm.

Built-in One-touch Fittings

Bore size (mm)	GA	GB	HD	HH	PD
20	12	12	13	24.2	6
25	12	10(12)	13	26.7	6
32	12	10(12)	13	30.2	6
40	12	10(12)	16	34.6	8
50	13	13	20	40.6	10
63	13	13	20	47.1	10

Air-hydro

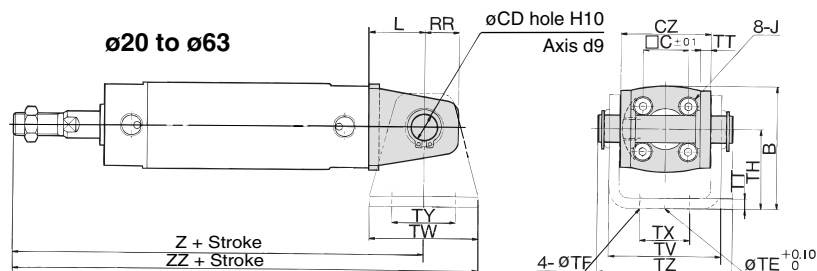
Bore size (mm)	S	ZZ
20	77	114
25	77	119
32	79	121
40	87	139
50	102	162
63	102	162

Note) (): Denotes the dimensions for long stroke.

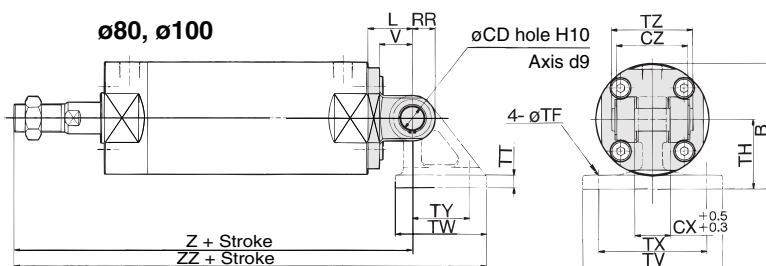
Series CG1

With Mounting Bracket

Clevis style: CG1DN



(The above shows the case port location is changed by 90°.)



* Clevis pin and snap ring are attached for the clevis style.

Clevis Style

Bore size (mm)	Stroke range (mm)	B	CD	CX	CZ	L	RR	V	TE	TF	TH	TT	TV	TW	TX	TY	TZ	Z	ZZ	With rod boot		Applicable pin part no.
																				Z	ZZ	
20	Up to 200	38	8	—	29	14	11	—	10	5.5	25	3.2	35.8	42	16	28	43.4	118	139	138 + l	159 + l	CD-G02
25	Up to 300	45.5	10	—	33	16	13	—	10	5.5	30	3.2	39.8	42	20	28	48	125	146	147 + l	168 + l	CD-G25
32	Up to 300	54	12	—	40	20	15	—	10	6.6	35	4.5	49.4	48	22	28	59.4	131	155	153 + l	177 + l	CD-G03
40	Up to 500	63.5	14	—	49	22	18	—	10	6.6	40	4.5	58.4	56	30	30	71.4	150 (159)	178 (187)	170 + l (179 + l)	198 + l (207 + l)	CD-G04
50	Up to 600	79	16	—	60	25	20	—	20	9	50	6	72.4	64	36	36	86	173 (185)	205 (217)	193 + l (205 + l)	225 + l (237 + l)	CD-G05
63	Up to 600	96	18	—	74	30	22	—	20	11	60	8	90.4	74	46	46	105.4	178 (190)	215 (227)	198 + l (210 + l)	235 + l (247 + l)	CD-G06
80	Up to 750	99.5	18	28	56	35	18	26	—	11	55	11	110	72	85	45	64	214 (228)	272.5 (286.5)	223 + l (237 + l)	281.5 + l (295.5 + l)	IY-G08
100	Up to 750	120	22	32	64	43	22	32	—	13.5	65	12	130	93	100	60	72	222 (236)	298.5 (312.5)	231 + l (245 + l)	307.5 + l (321.5 + l)	IY-G10

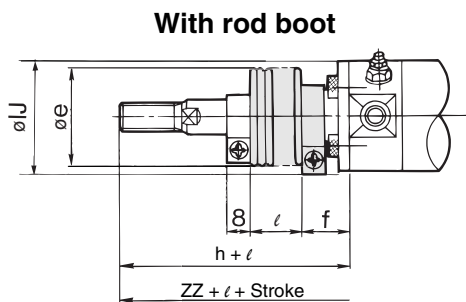
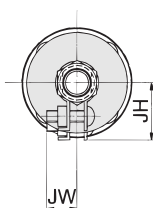
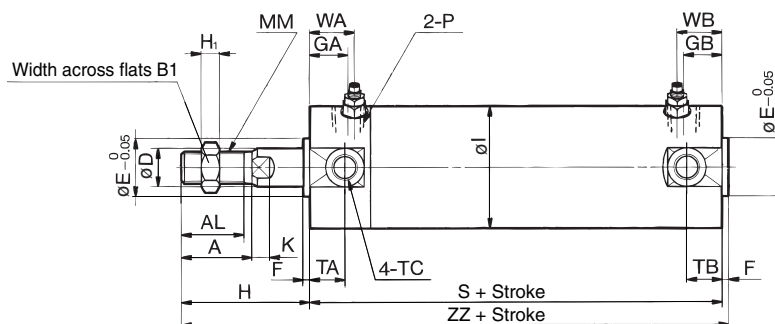
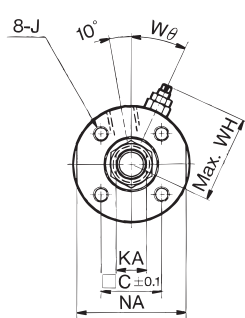
Note) (): Denotes the dimensions for long stroke.

* Refer to page 6-5-12 for pivot bracket.

* Other dimensions are the same as basic style.

Air Cylinder: Standard Type Double Acting, Single Rod **Series CG1**

Basic Style with Air Cushion: CG1BA



With Rod Boot

Bore size (mm)	e	f	h	IJ	JH	JW	ℓ	ZZ
20	30	16	55	27	(14.5)	(11.5)	0.25 stroke	126(134)
25	30	17	62	32	(17.5)	(11.5)		133(141)
32	35	17	62	38	(19.5)	(11.5)		135(143)
40	35	17	70	48	(22.5)	(13)		150(159)
50	40	17	78	59	(25)	(13)		170(182)
63	40	18	78	72	(25)	(13)		170(182)
80	52	10	80	59	—	—		191(205)
100	62	7	80	71	—	—	191(205)	

* The minimum stroke with rod boot is 20 mm.

Bore size (mm)	Standard stroke range (mm)	Long stroke range (mm)	A	AL	B ₁	C	D	E	F	GA	GB	H	H ₁	I	J	K	KA	MM	NA	P	S	TA	TB	TC*	ZZ	WA	WB	WH	W _θ
20	Up to 200	201 to 350	18	15.5	13	14	8	12	2	12	10(12)	35	5	26	M4 x 0.7 depth 7	5	6	M8 x 1.25	24	M5 x 0.8	69(77)	11	11	M5 x 0.8	106(114)	16	15(16)	23	30°
25	Up to 300	301 to 400	22	19.5	17	16.5	10	14	2	12	10(12)	40	6	31	M5 x 0.8 depth 7.5	5.5	8	M10 x 1.25	29	M5 x 0.8	69(77)	11	11	M6 x 0.75	111(119)	16	15(16)	25	30°
32	Up to 300	301 to 450	22	19.5	17	20	12	18	2	12	10(12)	40	6	38	M5 x 0.8 depth 8	5.5	10	M10 x 1.25	35.5	Rc 1/8	71(79)	11	10(11)	M8 x 1.0	113(121)	16	15(16)	28.5	25°
40	Up to 300	301 to 800	30	27	19	26	16	25	2	13	10(13)	50	8	47	M6 x 1 depth 12	6	14	M14 x 1.5	44	Rc 1/8	78(87)	12	10(12)	M10 x 1.25	130(139)	16	15(16)	33	20°
50	Up to 300	301 to 1200	35	32	27	32	20	30	2	14	12(14)	58	11	58	M8 x 1.25 depth 16	7	18	M18 x 1.5	55	Rc 1/4	90(102)	13	12(13)	M12 x 1.25	150(162)	18	17(18)	40.5	20°
63	Up to 300	301 to 1200	35	32	27	38	20	32	2	14	12(14)	58	11	72	M10 x 1.5 depth 16	7	18	M18 x 1.5	69	Rc 1/4	90(102)	13	12(13)	M14 x 1.5	150(162)	18	17(18)	47.5	20°
80	Up to 300	301 to 1400	40	37	32	50	25	40	3	20	16(20)	71	13	89	M10 x 1.5 depth 22	10	22	M22 x 1.5	80	Rc 3/8	108(122)	—	—	—	182(196)	22	22	60.5	20°
100	Up to 300	301 to 1500	40	37	41	60	30	50	3	20	16(20)	71	16	110	M12 x 1.75 depth 22	10	26	M26 x 1.5	100	Rc 1/2	108(122)	—	—	—	182(196)	22	22	71	20°

Note) (): Denotes the dimensions for long stroke.

* Trunnion mounting taps with width across flats NA are not attached for bore size ø80 and ø100.

* For mounting brackets, refer to page 6-5-12.

- CJ1
- CJP
- CJ2
- CM2
- CG1**
- MB
- MB1
- CA2
- CS1
- C76
- C85
- C95
- CP95
- NCM
- NCA
- D-
- X
- 20-
- Data